

Product Code: VL530



Safety Information

Read the following safety information carefully before attempting to operate or service the meter.

Use the meter only as specified in this manual; otherwise, the protection provided by the meter may be impaired.

Environment Conditions

- ✓ Altitude up to 2,000 metres
- ✓ Relative Humidity 90% max.
- ✓ Operation Ambience 0 ~ 40°C

Explanation of Symbols

CE Comply with EMC.
When servicing, only use specified replacement parts.

Product Code: VLMC530

Introduction

Thank you for using our Light Meter. To ensure that you get the most from it, we recommend that you read and follow the manual carefully before use. The Light Meter has been designed, manufactured, and delivered under strict quality control criteria by a certified factory. This meter has the following characteristics:

- ✓ Easy to use
- ✓ Automatic zero
- ✓ Automatic ranging
- ✓ MAX/MIN function
- ✓ Large, backlit LCD display



Maintenance

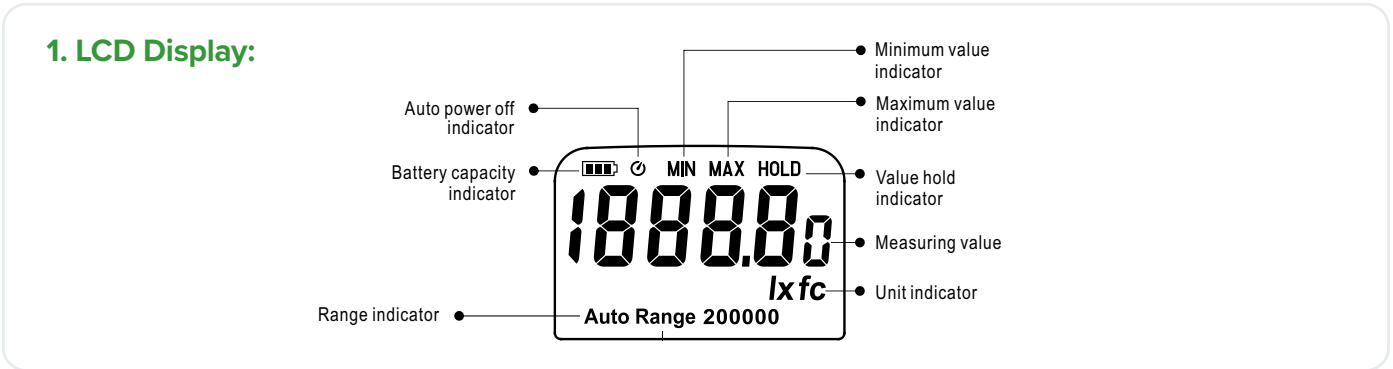
ATTENTION!
Repairs or servicing not covered in this manual should only be performed by qualified personnel.

Cleaning

Periodically wipe the case with a dry cloth. Do not use abrasives or solvents on this instrument.

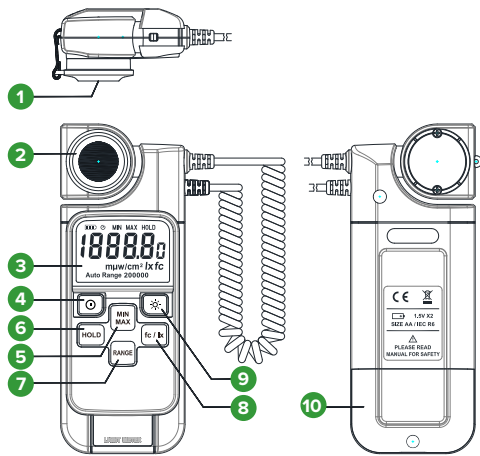
Note: If it is not used for a long time, please store the meter in a chamber under 60%RH.

Symbol Definition & Button Location



Product Code: VL530

2. Name of Parts & Position:



Operation:

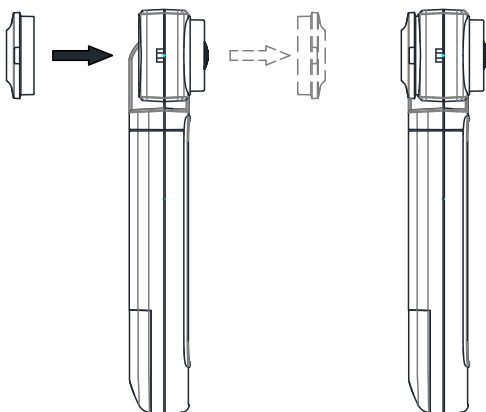
Press the power button to turn on the power. Notice that if you cover the light-detecting surface with the cap, “CAP-“ will automatically appear on the LCD display. Once “CAL-“ appears, the meter will begin the automatic zero adjustment. Once the automatic zero adjustment is complete, “CAL-“ will disappear and “0.0” will appear. After confirming “0.0” is displayed, remove the cap to start measuring.

After the measurement is complete, press the power button again to turn off the power. Cover the light-detecting surface with the cap, so it is protected against stray light.

Note: If “ERR1” appears, check the cap to make sure it is on properly.

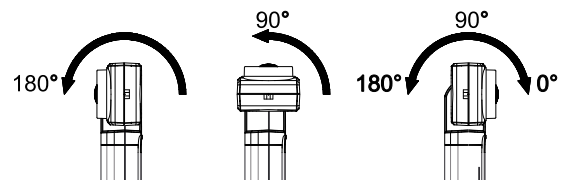
1 Sensor Cap:

This part protects the sensor from scratching and creates a completely dark environment so the meter can perform dark current calibrations. During the power on process, this cover should be set properly on the sensor, otherwise an error message will be shown on the LCD.

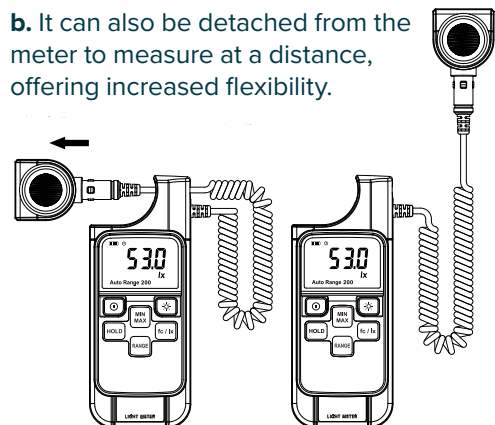


2 Light Sensing Probe:

a. Depending on the measuring requirements, the probe can be rotated to different angles from the LCD surface.










b. It can also be detached from the meter to measure at a distance, offering increased flexibility.





Product Code: VL530

3 LCD display:
6 1/2" back light LCD display.

4 Power button:
Press  button to turn on the meter. It will automatically turn itself off 30 minutes after its last key operation. The user may disable this automatic power off function by pressing and holding  button while powering on. The  symbol will disappear to confirm this operation. Press  button again to turn the meter off.


5 Max Min button:
Press  button to activate MAX/MIN mode. By pressing  button, the user can move between the maximum, minimum, and current reading. Press and hold  button for 3 seconds to exit MAX/MIN mode.

6 HOLD button:
The user may hold the present reading and keep it on the LCD display by pressing the  button. To release the held data, press the button again.

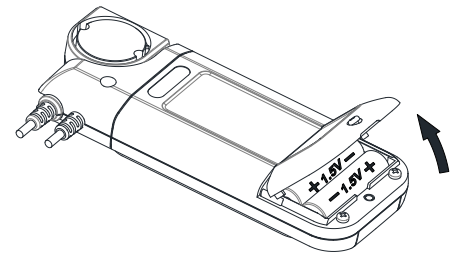
7 Range selector button:
The user can press the  button to select the preferred measuring range. Otherwise, it will be automatically selected by the meter. The available ranges are:

- ✓ AUTO, 200, 2000, 20000, 200000 lx
- ✓ AUTO, 20, 200, 2000, 20000 fc

8 Fc/lx selector button:
Press  button to switch the measuring unit between Foot Candle and Lux.

9 Backlight button:
Press  button to turn on the LCD back light. It will be automatically off after 30 seconds.

10 Battery cabinet cover:
When battery capacity segment is less than one, the user should replace the battery. The battery cabinet cover can be opened with a Philips screw driver and two AA batteries should be installed.



Characteristics of Sensor spectrum response

